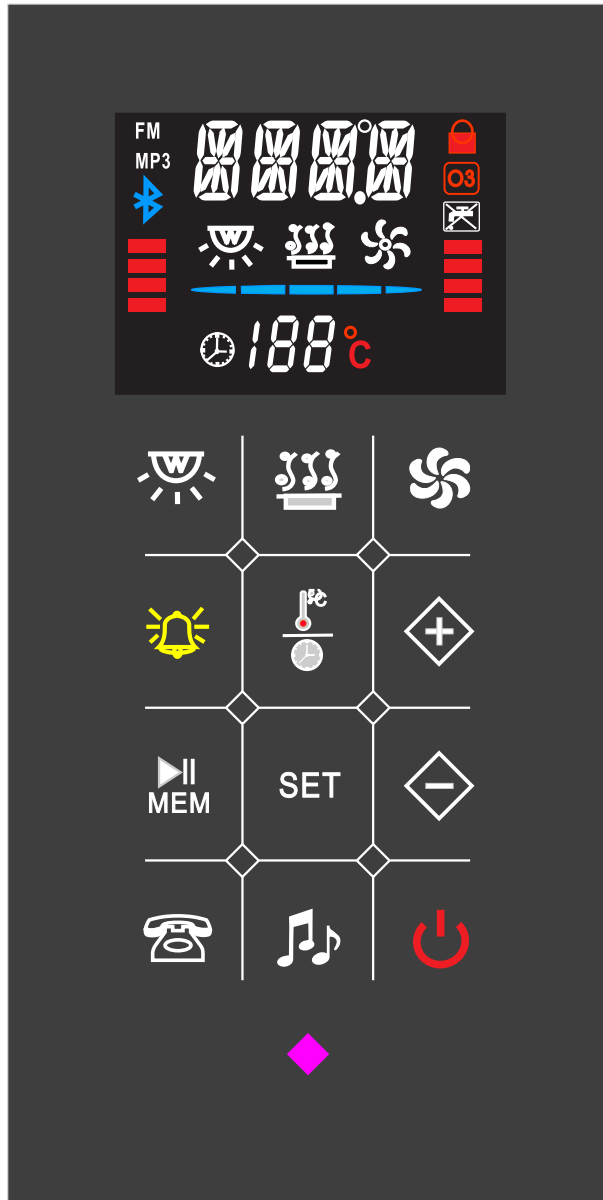


1.The Characteristics of product:

- ★ With high class micro computer controlling and anti jamming circuit, it has highly dependability.
- ★ Use the top grade induction button and dynamic LED display
- ★ The fidelity Hi-Fi FM.USB connector.MP3 function. AUX Input Interface
- ★ Mobile phone bluetooth call. Mobliephone bluetooth music player.
- ★ The layout design is in reason ,material choosing is strict .It take apart the strong electricity and weak electricity .The room use 12V safe voltage ,customer can rest assured to use it.
- ★ phone alarm or site alarm function.

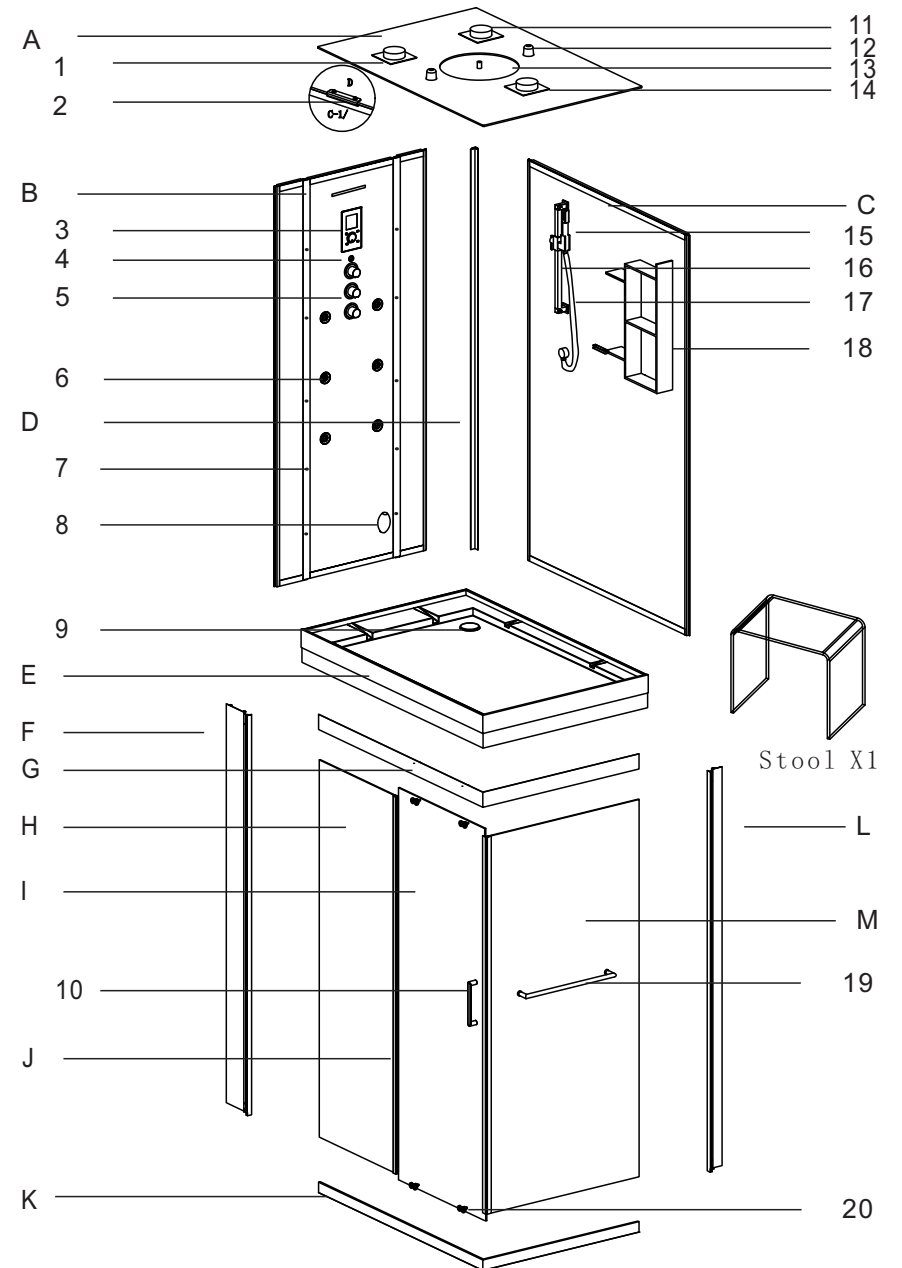
2. Parameter of technique:

- 1、 The voltage of electrical source : AC 190V-240V,50Hz
- 2、 steam power : 3kw
- 3、 Intensity of voltage resist:1500V/min
- 4、 The creepage electricity<0.25mA
- 5、 The load of lighting:DC12V 10W
- 6、 The load of fan:DC12V 5W
- 7、 The load of music:15W
- 8、 the frequency of range:FM88-108Mhz
- 9、 USB interface music infromat: Mp3 format
- 10、 Resistance connecting the ground $\leq 0.1 \Omega$

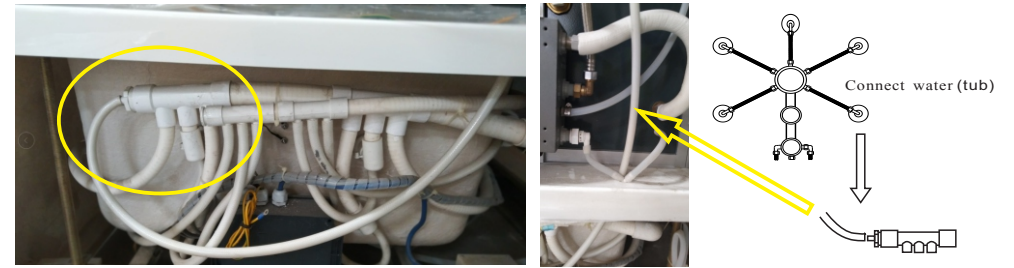
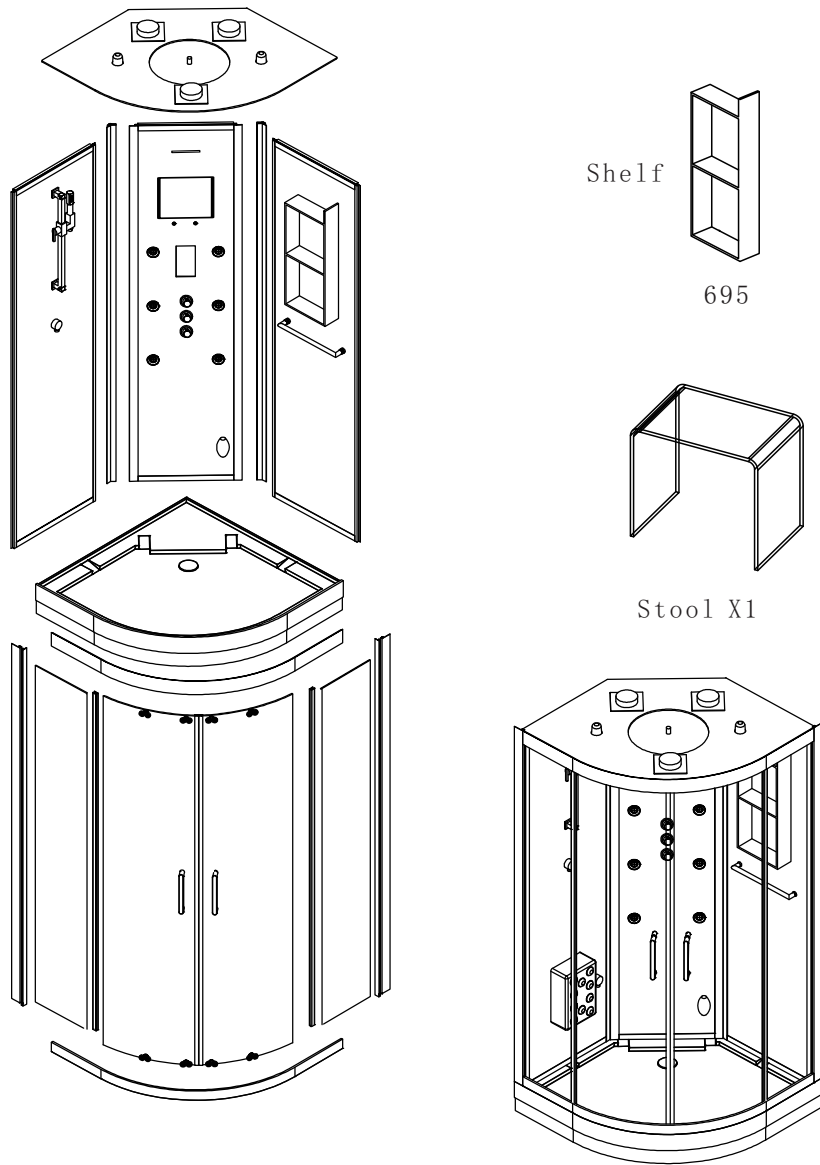


Exploded pictures

*Tinstallation steps are same for WG-U692T, WG-U693T

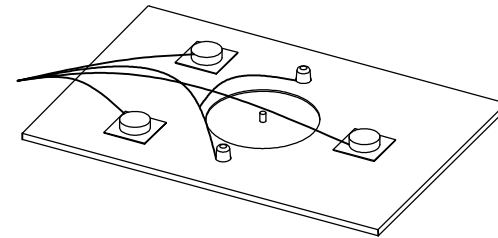


Exploded pictures

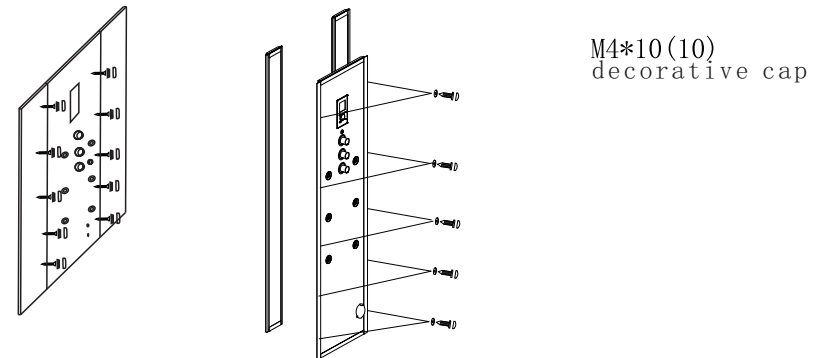


Repair/ replace:
It must work by qualified wireman or the assigned professional from the reseller , strictly according the " safety precautions", must cut off the electricity and water before repair and correct procedures.

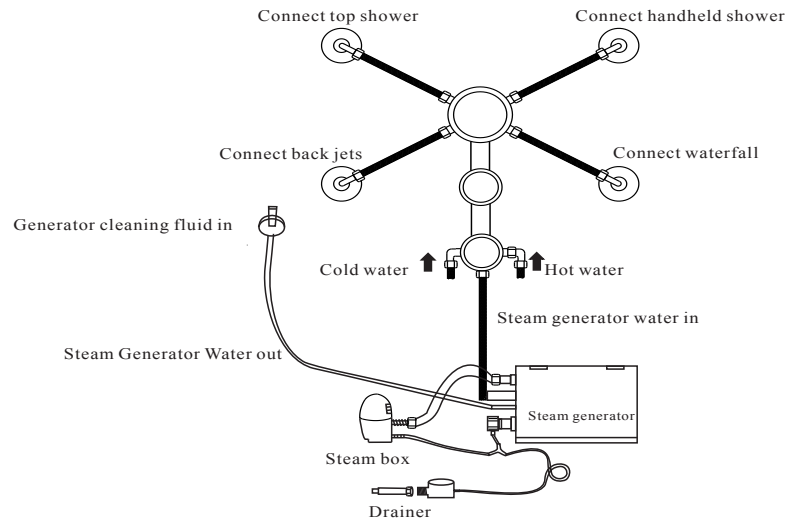
1.loosen the link of head shower ,fan,light,speaker,ozone of roof. twist the screw of roof and backboard , make them seperately.



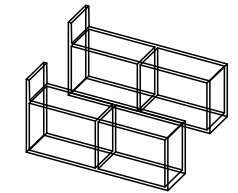
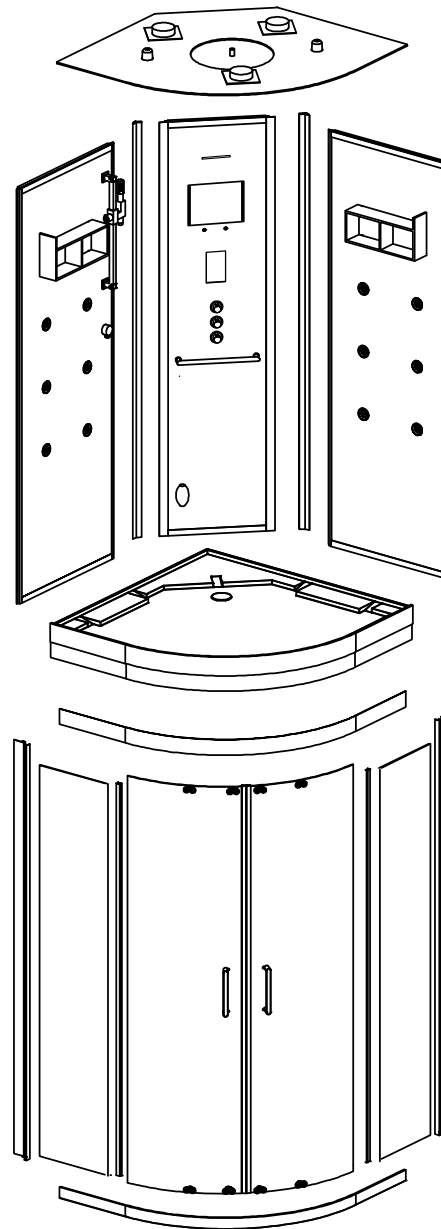
2.twist the screw of backboard,take out the backboard gently.



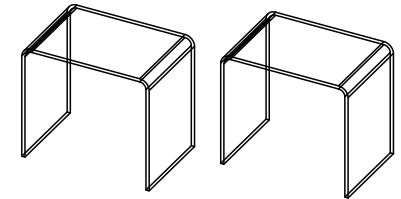
3.repair / replace
4.must assemble and text before use



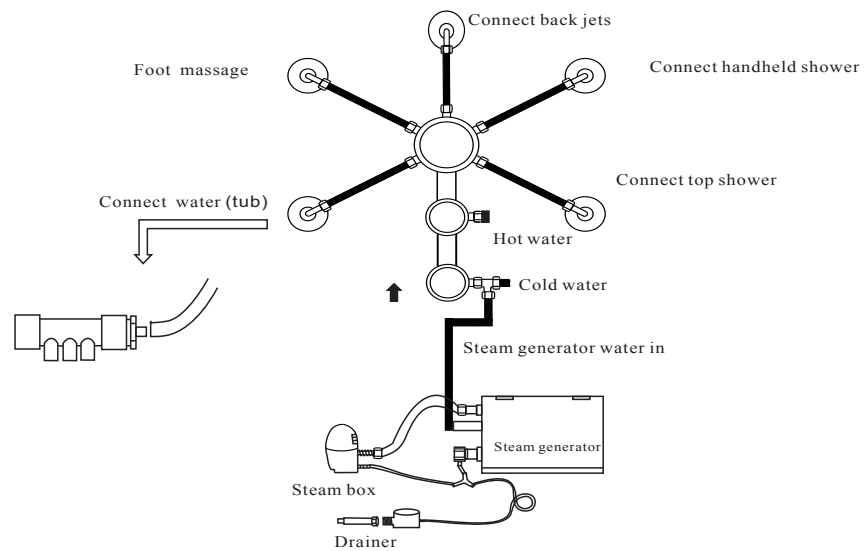
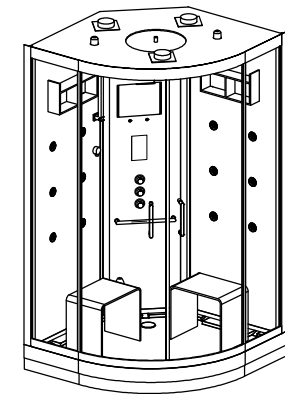
Hose diagram



Shelf X2

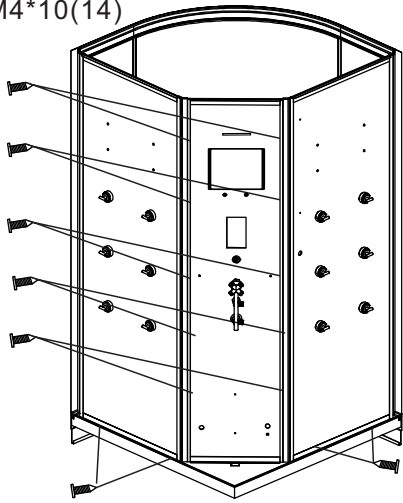


Stool X2

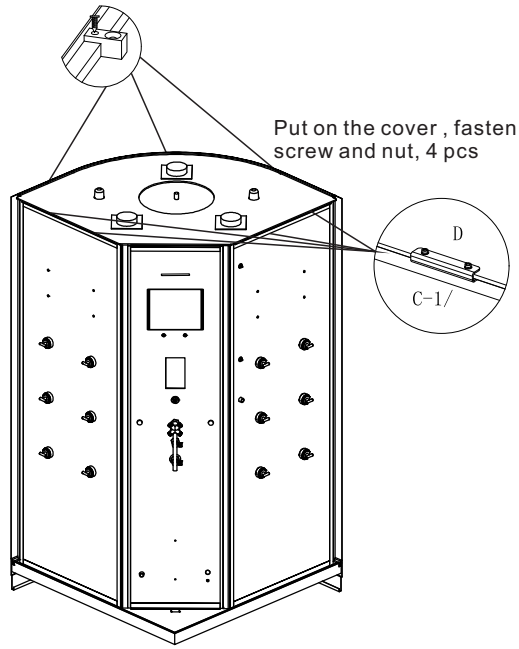


Hose diagram

M4*10(14)

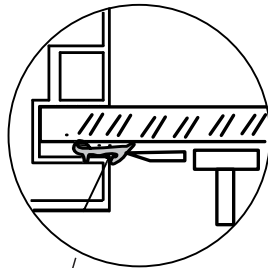
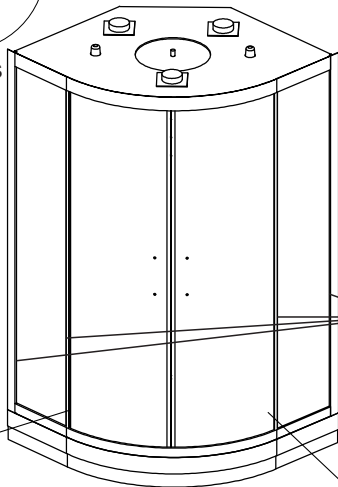
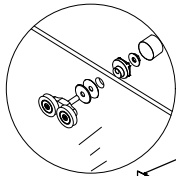


fasten another screw



Put on the cover , fasten screw and nut, 4 pcs

install the wheels



single side seal

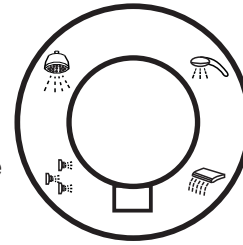
F Spare



* Make some silicone to prevent leaking under the high water pressure .

Operation Instruction Of Steam Room

Top Shower

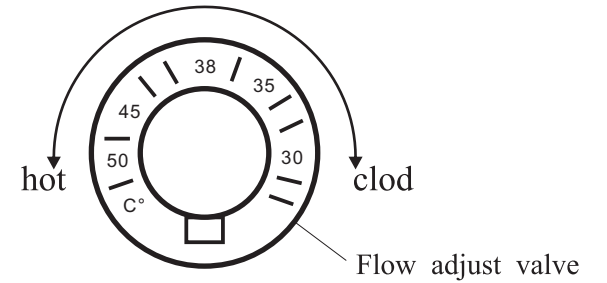
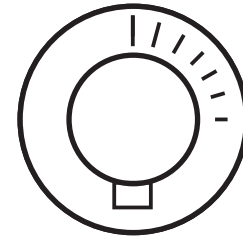


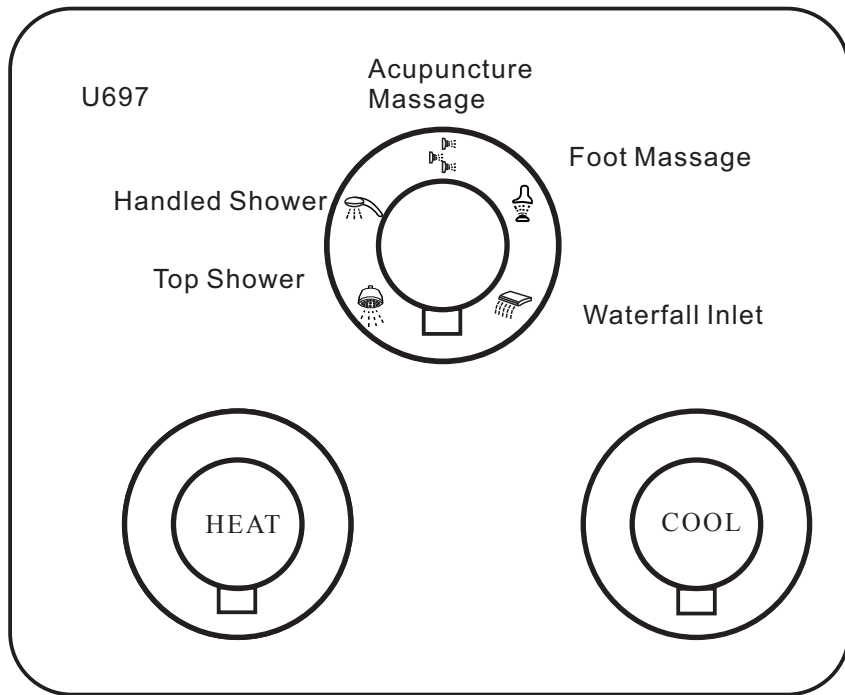
Handled Shower

Acupuncture Massage

Waterfall Inlet

Turn valve to the desired function



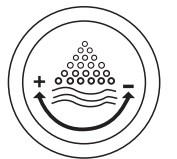
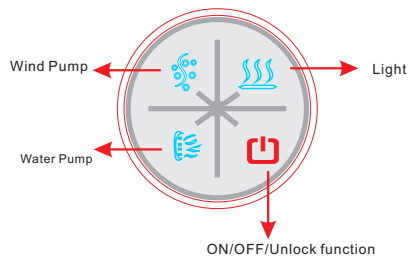


Shower sliding bar is used to support the handheld shower, press the button to adjust the height of the handheld shower



Shower Sliding Bar

Manual for tub(WG-U697)

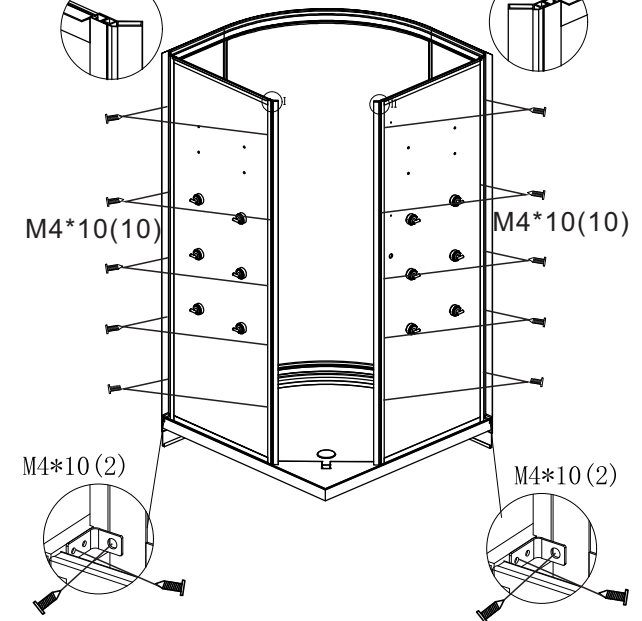
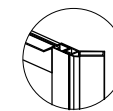
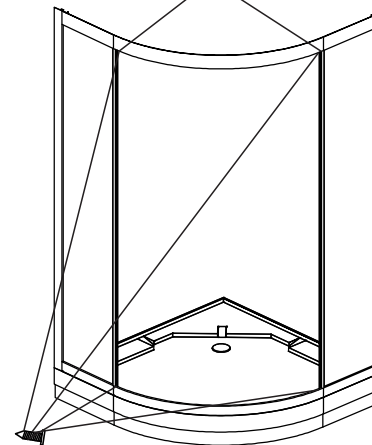
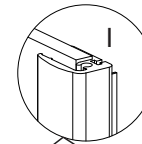
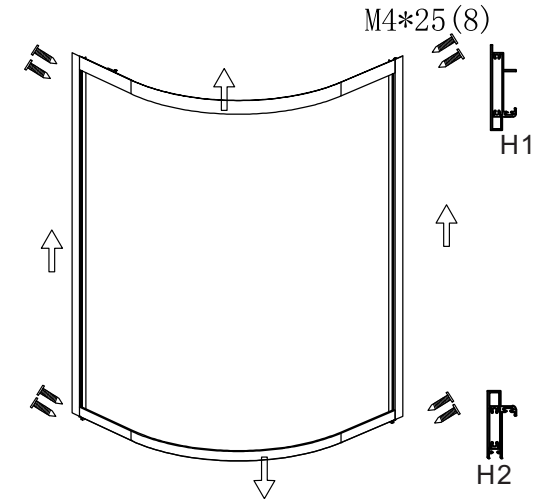
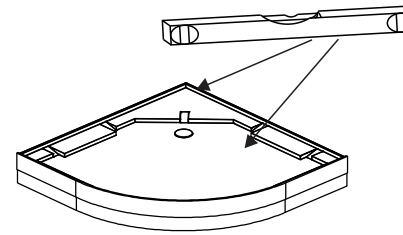


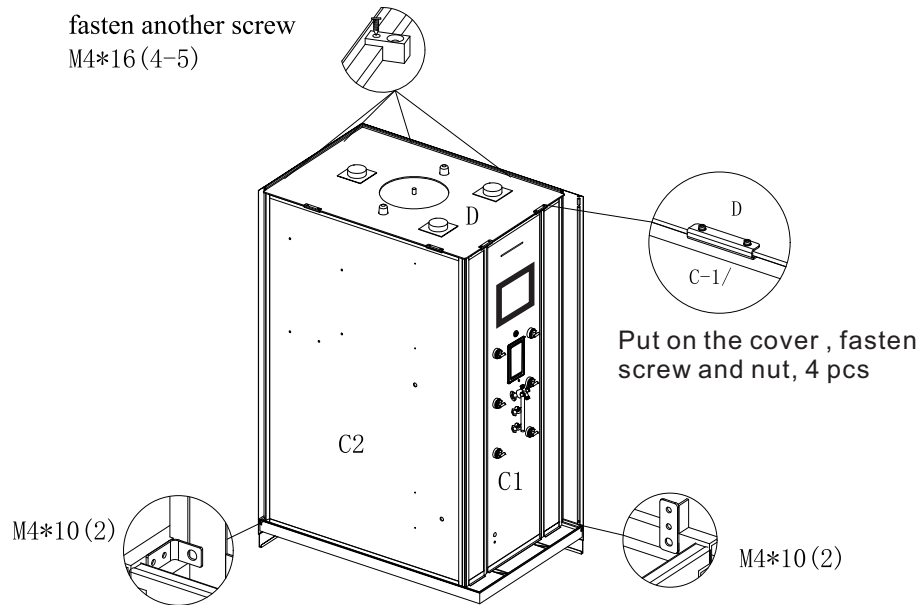
water pressure



Manual Drainer

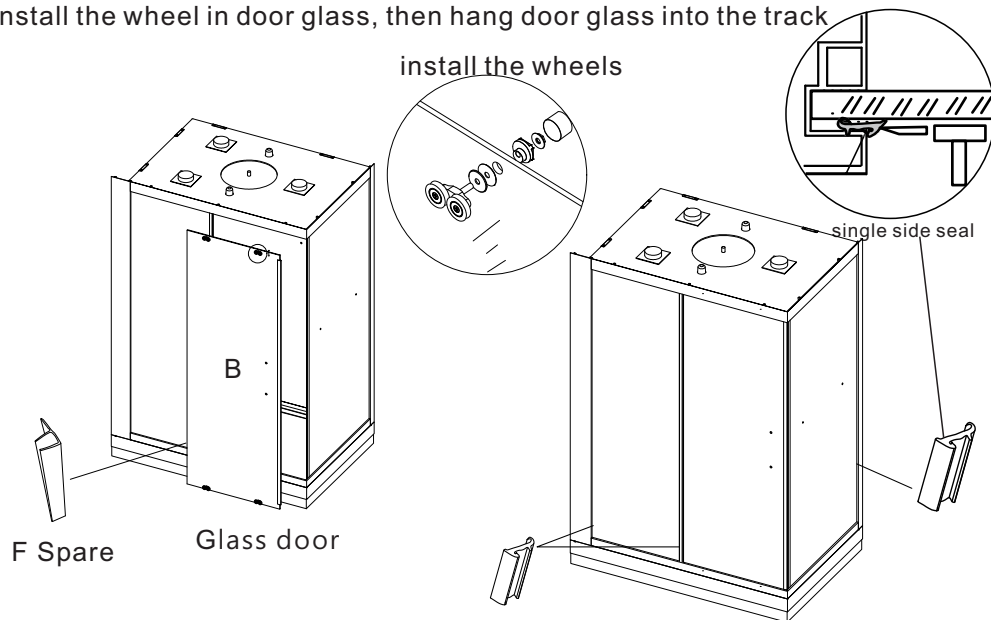
Rotate the manual drain knob to fill or drain the tub.



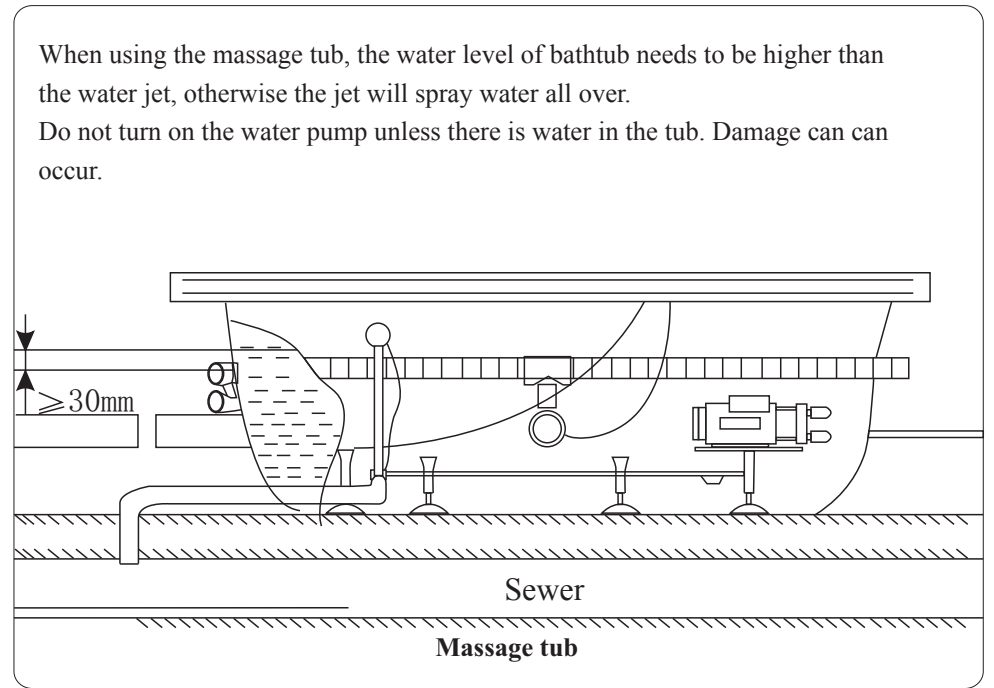


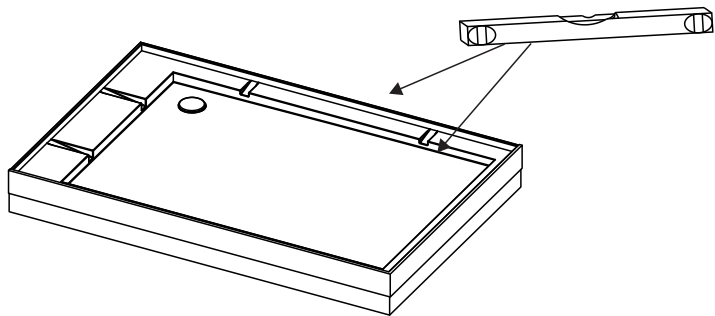
To make the corner more fixed,fasten by 4x10mm screw,2 pcs each side

Install the wheel in door glass, then hang door glass into the track



* Make some silicone to prevent leaking under the high water pressure .



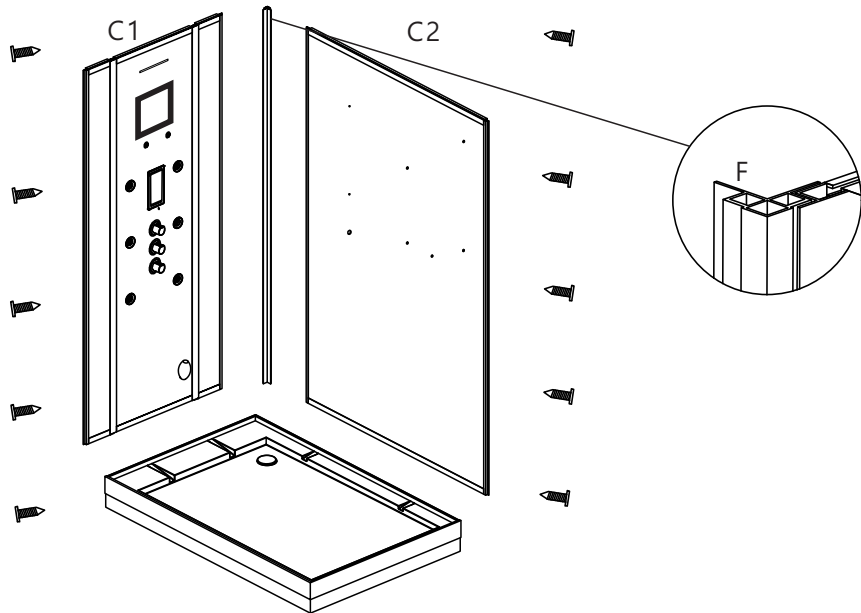


1、 Install bathtub

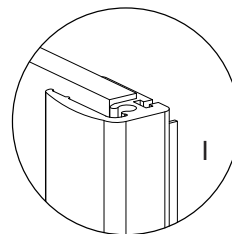
Open the packing put the tray to the appropriate place. Use the level ruler test all direction is balance. Adjust the screw which in foot to the tub until level, and then screw down the nut. The feet must adhere to the ground.

2、 Install background glass

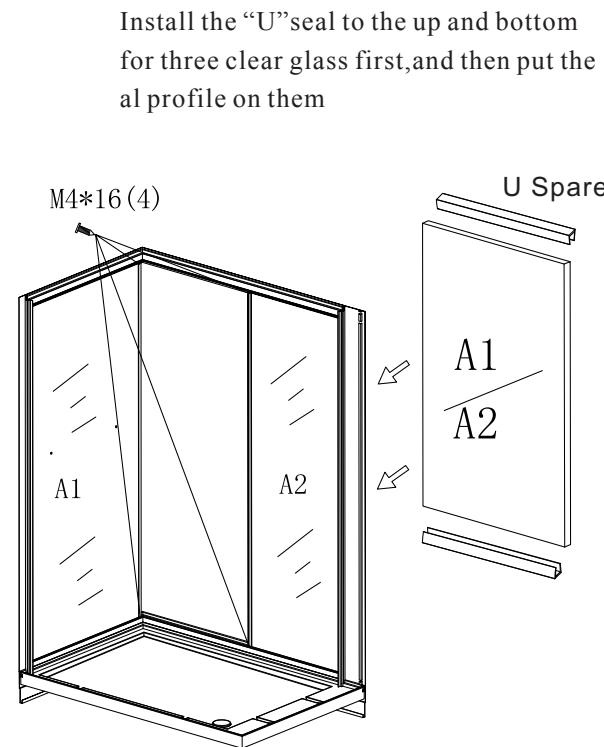
Apply little glass glue into the holes of the base plate. Assemble C1 and C2, and fix them through the M4x10 self-tapping screw.



Install the fixed glass



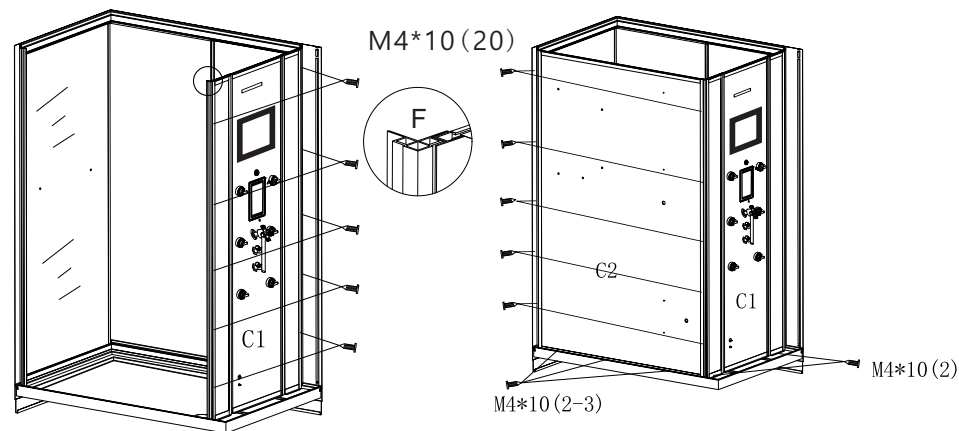
Two persons lift the frame onto the tray



Install the “U” seal to the up and bottom for three clear glass first, and then put the al profile on them

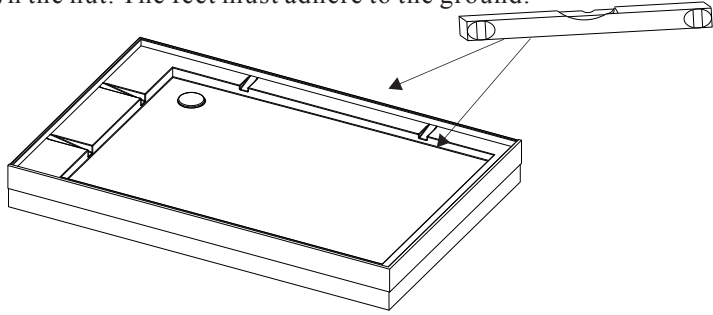
Install another back wall glass, 4x10mm screw, each side 5 pcs

Install the back wall glass, 4x10mm screw, 5 pcs, please notice, this glass is big and heavy

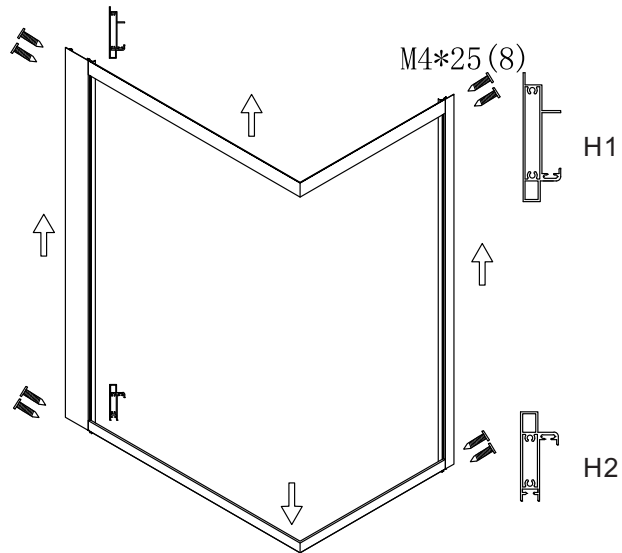


1、 Install bathtub

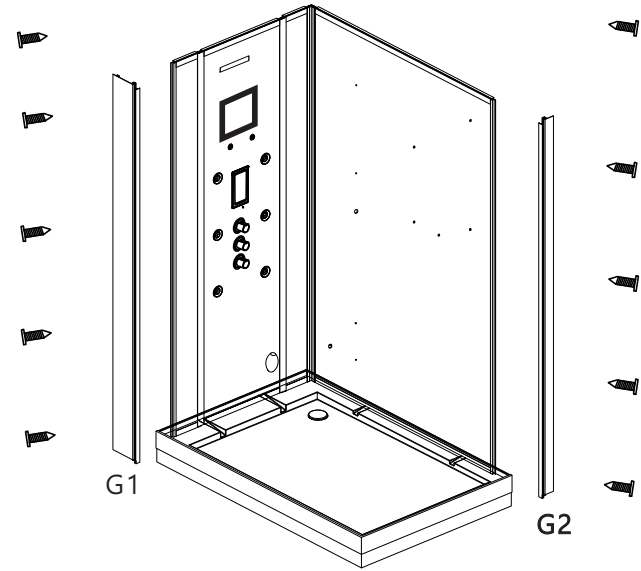
Open the packing put the tray to the appropriate place. Use the level ruler test all direction is balance. Adjust the screw which in foot to the tub until level, and then screw down the nut. The feet must adhere to the ground.



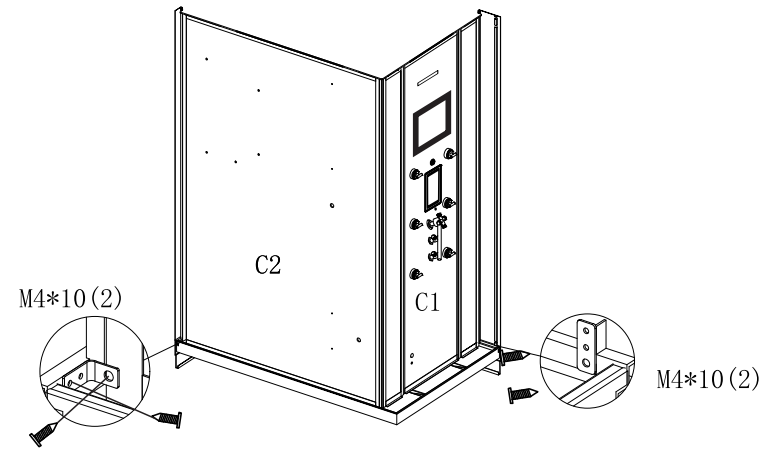
2. Put aluminium frame on the ground, and set up as picture, pay attention to protect the aluminium from scratch, you can put a blanket or carton under the aluminium



Install the aluminum ,4x10mm screw,10 pcs

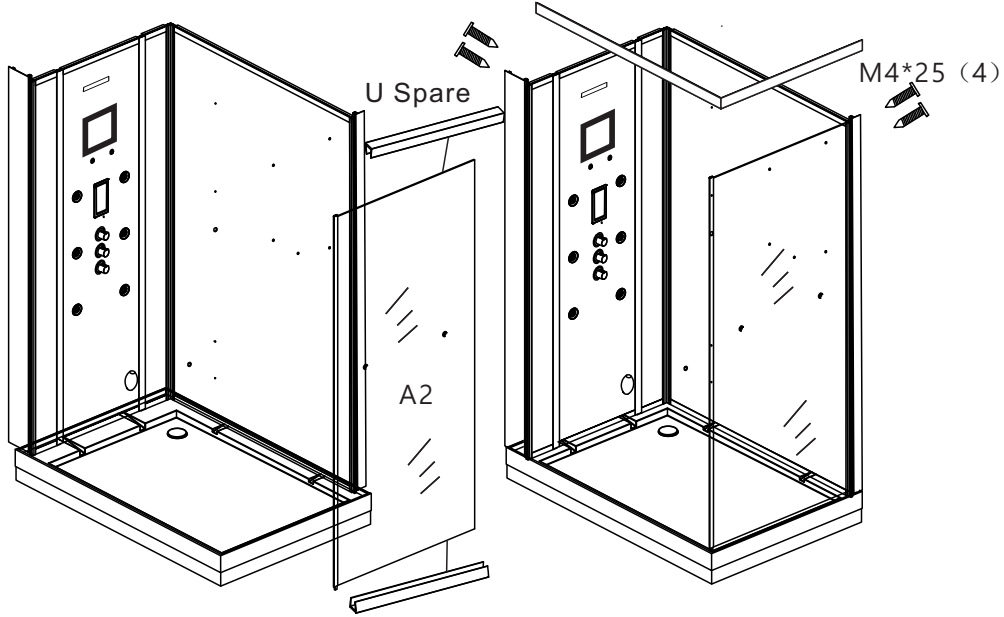


To make the corner more fixed,fastern by 4x10mm screw,2 pcs each side

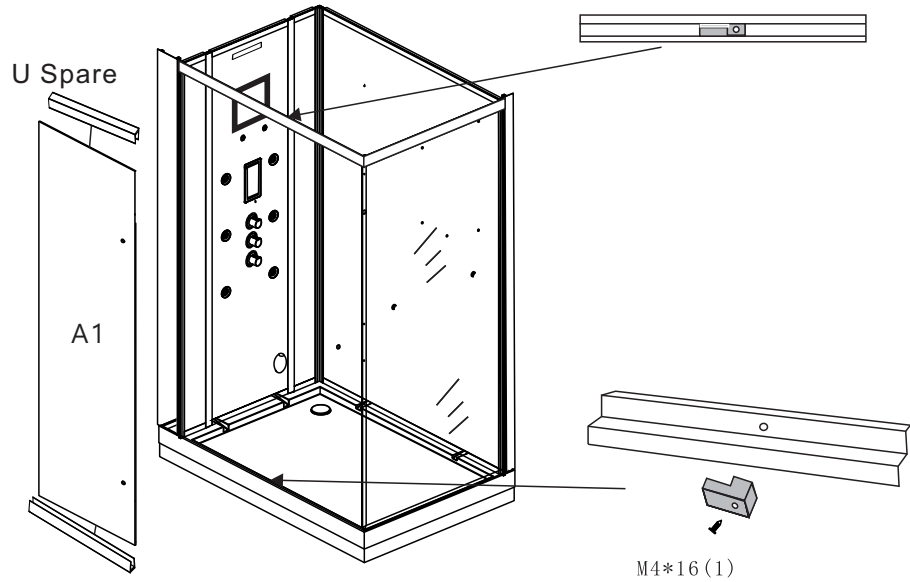


Put the big fixed glass into the track

Install the top frame

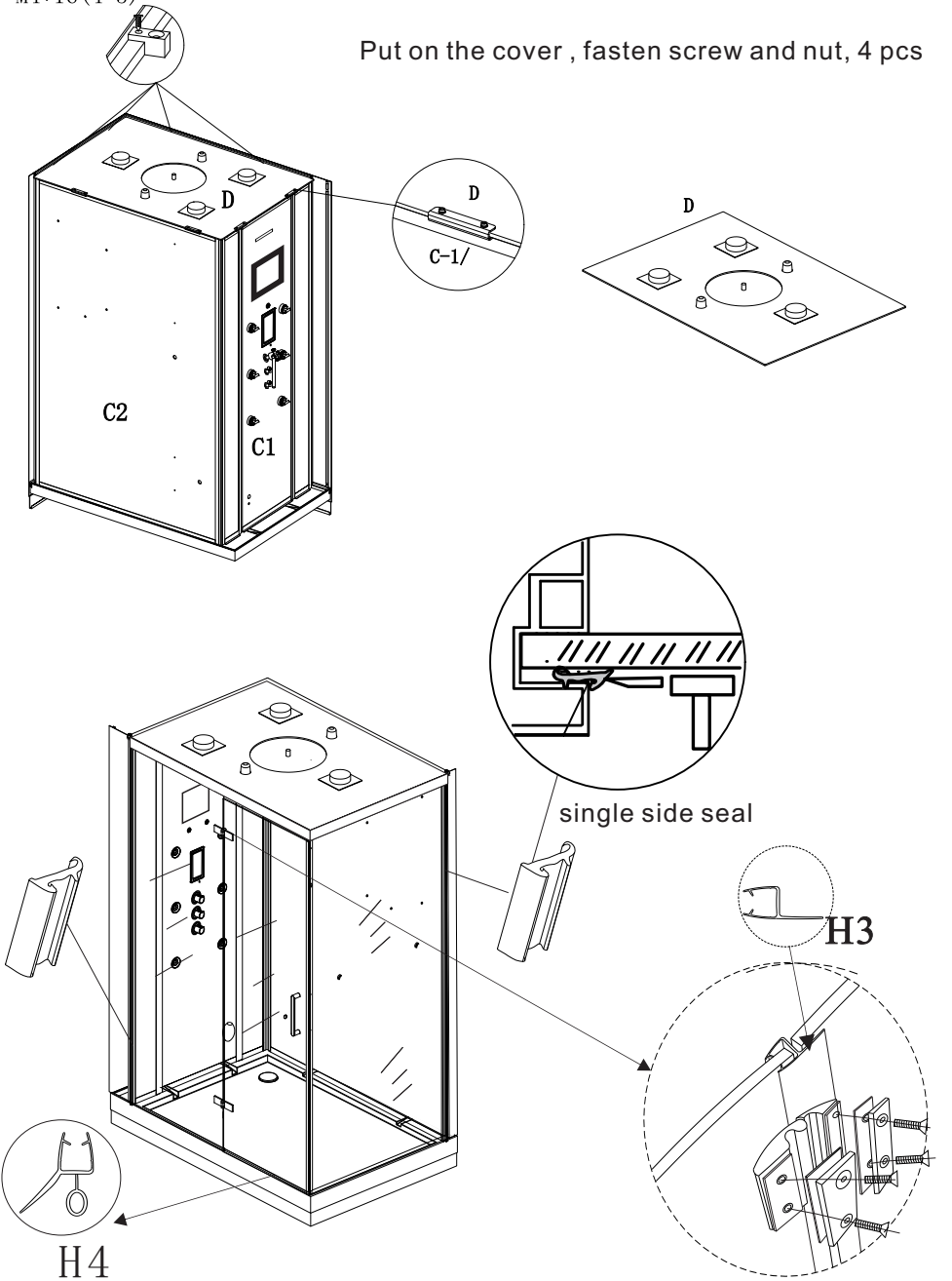


Install the small fixed glass



fasten another screw
M4*16 (4-5)

Put on the cover , fasten screw and nut, 4 pcs



* Make some silicone to prevent leaking under the high water pressure .